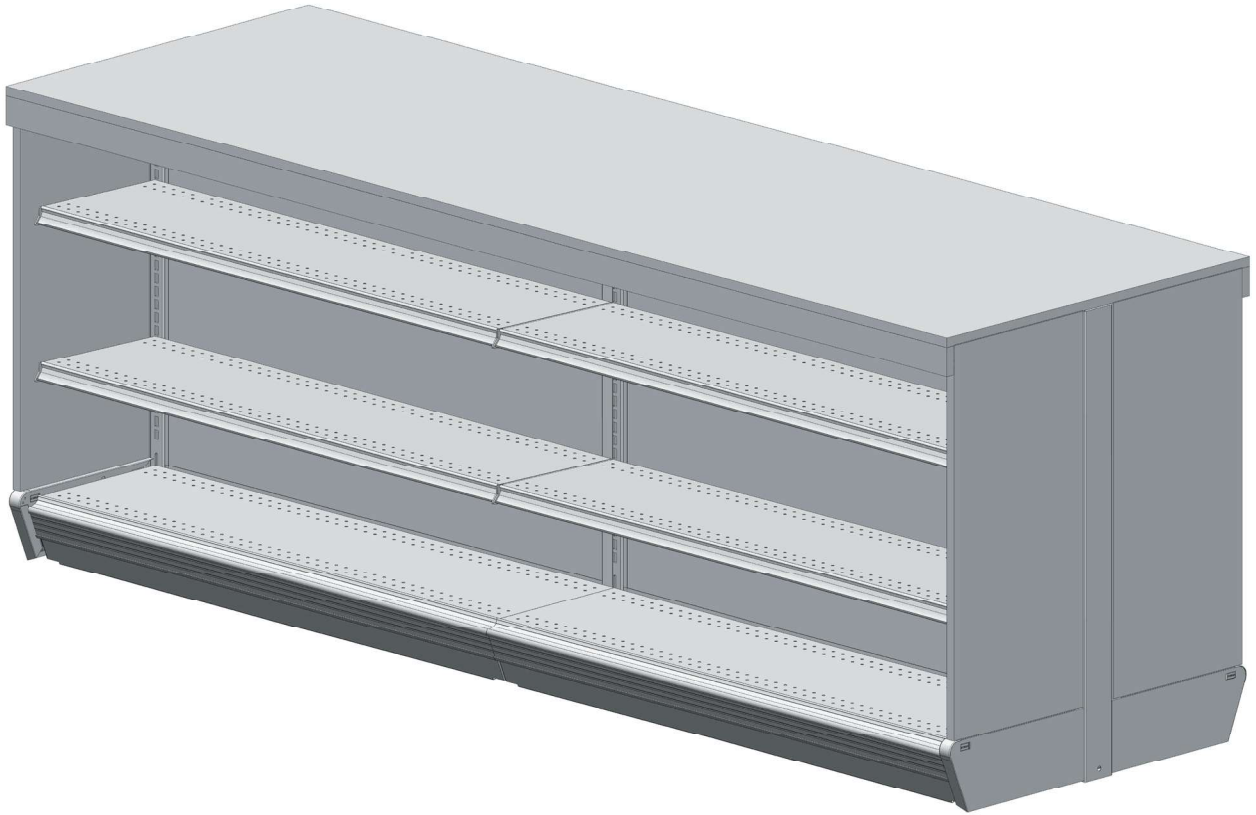
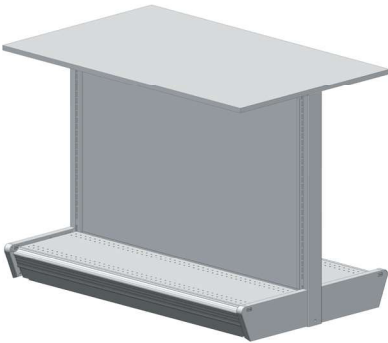


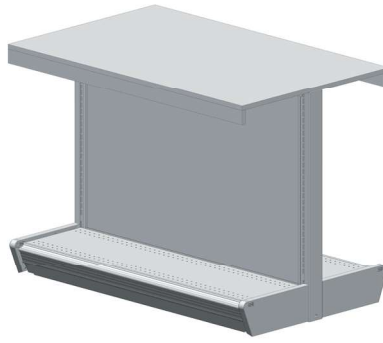
MERCHANDISING COUNTER CHECKOUT SYSTEM



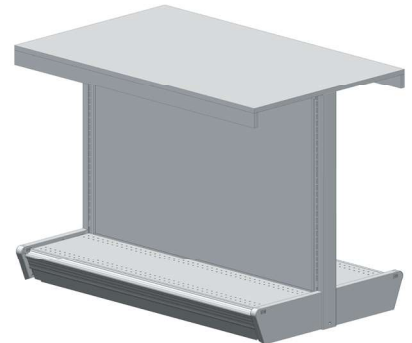
Flush Counter Top



Single Drop Line



Double Drop Line



MERCHANDISING COUNTER CHECKOUT SYSTEM

The Storflex Merchandising Counter System has many applications and infinite configurations. A combination of custom wood counter tops and standard shelving parts, this counter assembles quickly and utilizes the all important cash out area for impulse merchandising. Use with multi-position upper shelves or special wire shelves with dividers.



www.storflex.com • Telephone (607) 962-7655
392 West Pulteney Street, Corning, New York 14830