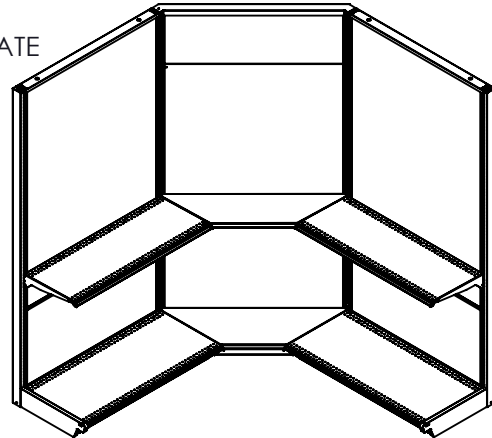
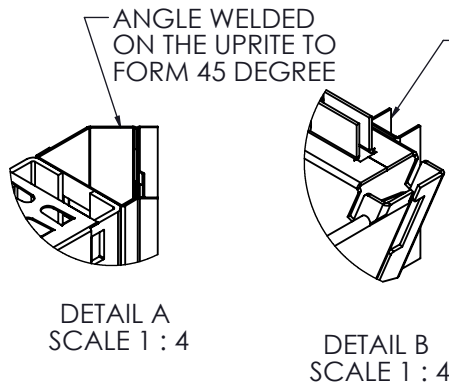
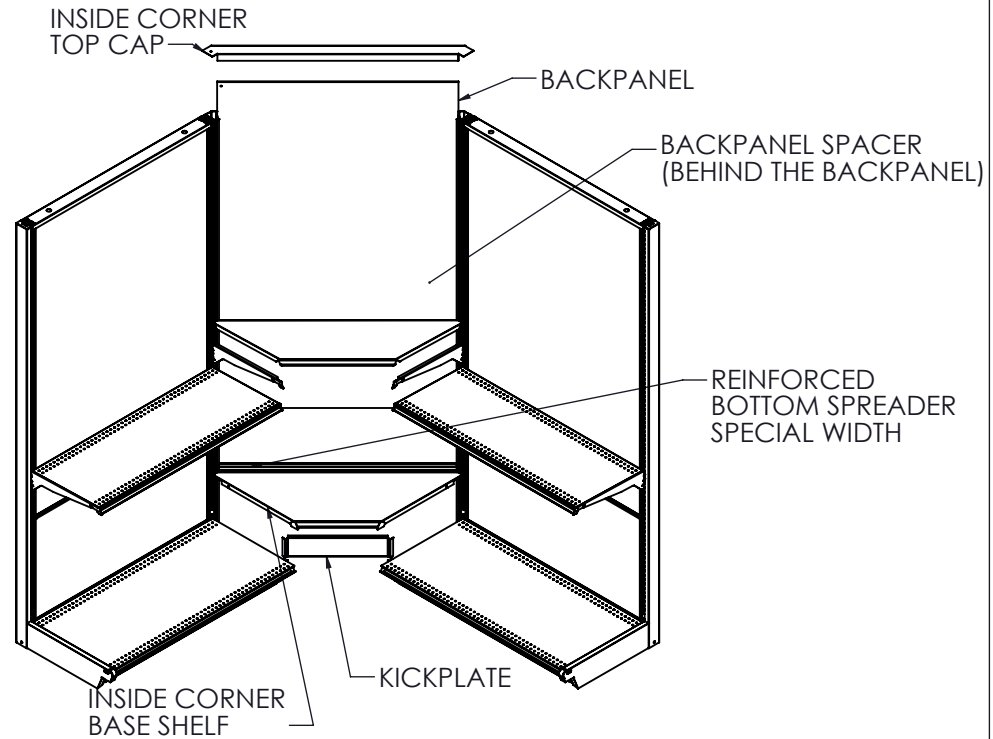
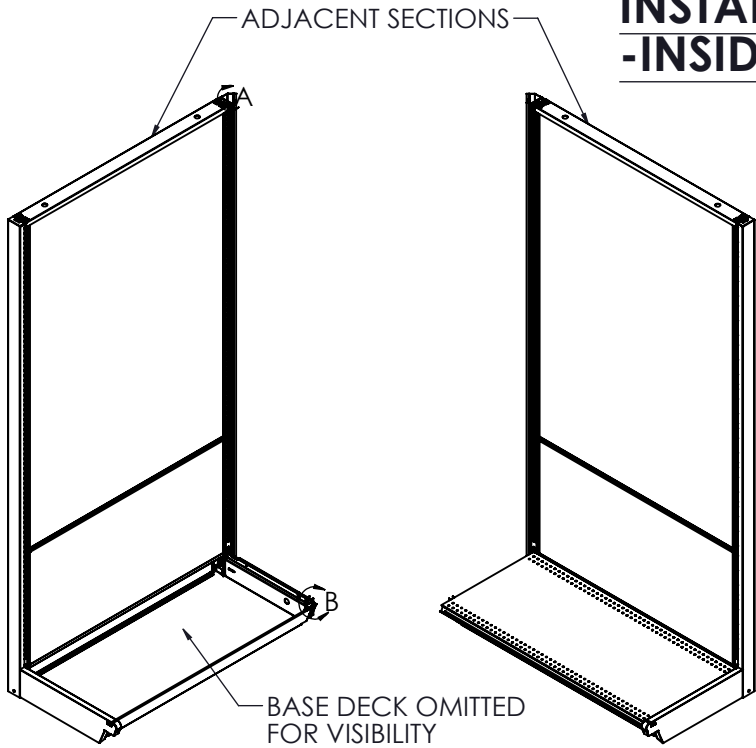


INSTALLATION INSTRUCTIONS

-INSIDE CORNER



- STEPS:
- 1) BUILD THE ADJACENT SECTIONS WITH THE SPECIAL UPRITE AND THE BASE SHOE AS SHOWN IN DETAIL A & B
 - 2) INSTALL THE BOTTOM SPREADER, BACKPANEL SPACER, KICKPLATE AS SHOWN.
 - 3)INSTALL THE BACKPANELS AND THE INSIDE CORNER TOP CAP.
 - 4)MOUNT THE BASE DECK.THE BRACKETS ON THE UPPER SHELF ARE LOOSE AND THE SHELF SKIN LIPS OVER

STORFLEX FIXTURE CORPORATION 392 W. PULTENEY STREET, CORNING, NY 14830, PHONE: (607) 962-2137, FAX: (607) 962-7655

REVISIONS			
REV.	DESCRIPTION	DATE	BY

THIS DOCUMENT CONTAINS DATA WHICH IS CONFIDENTIAL AND PROPRIETARY TO STORFLEX FIXTURE CORPORATION. NO DISCLOSURE, REPRODUCTION, OR ANY USE OF ANY PART OF THIS DOCUMENT MAY BE MADE WITHOUT PRIOR WRITTEN PERMISSION OF STORFLEX FIXTURE CORPORATION.

TOLERANCE (U. N. O.):
FRACTION = +/- 1/32
.XX = +/- .020
.XXX = +/- .005
ANG=90 +/- 1DEGREE

DESCRIPTION: INSIDE CORNER INSTALLATION INSTRUCTIONS			
PART #: INSIDE CORNER	CAT #:	MATERIAL:	
DATE CREATED: 3/14/2011	REV: ~	CREATED BY: PPP	SHEET 1/1