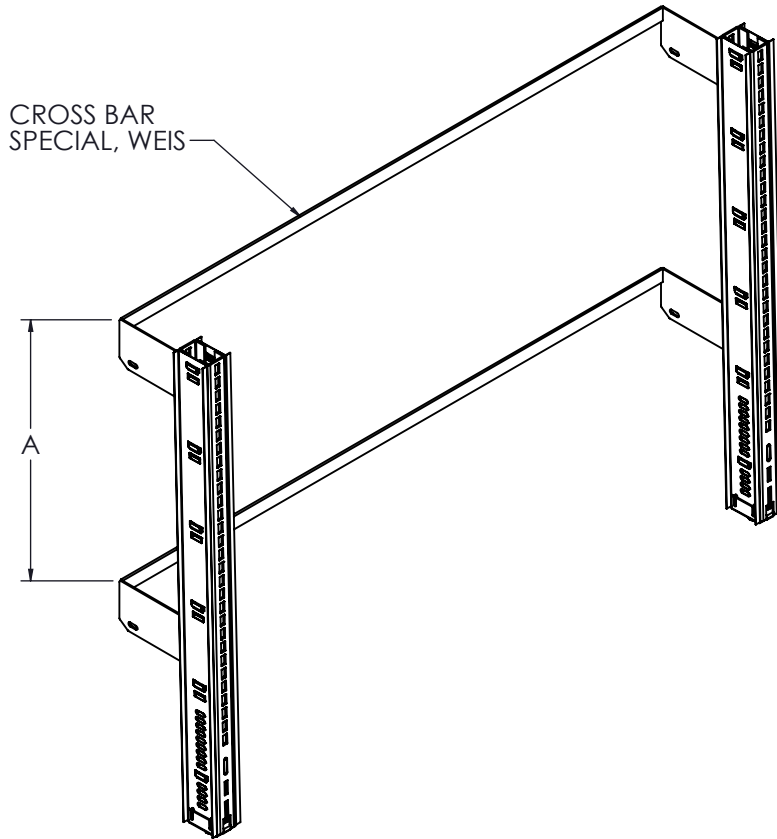


INSTALLATION INSTRUCTIONS for:  
**EXTENDED PEG PANEL, WEIS**

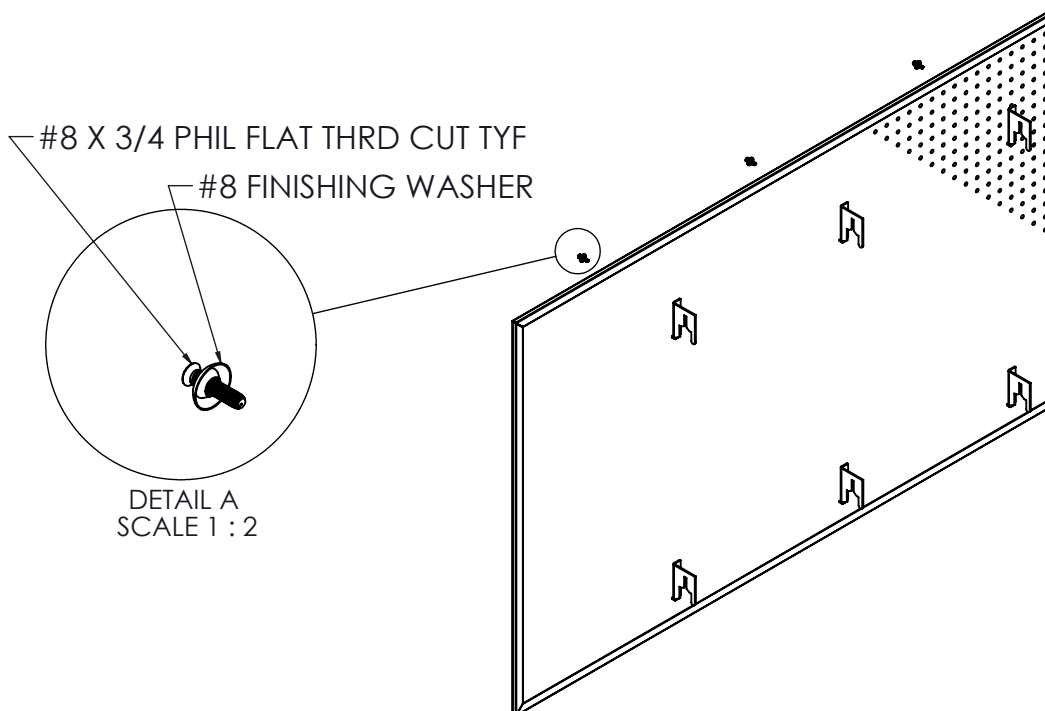
**STEP 1:**

USING DESIRED DIMENSION "A", LOCATE TWO (2) EXTENDED PEGBOARD CROSS BARS AT DESIRED HEIGHT ON SHELVING UPRIGHTS



**STEP 2:**

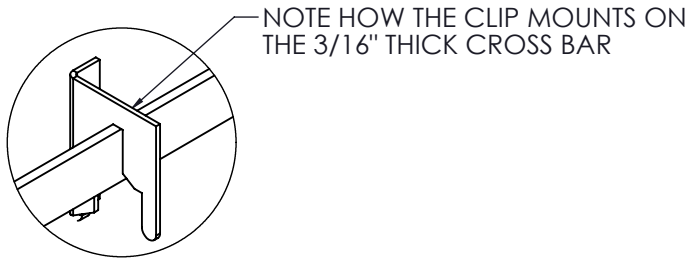
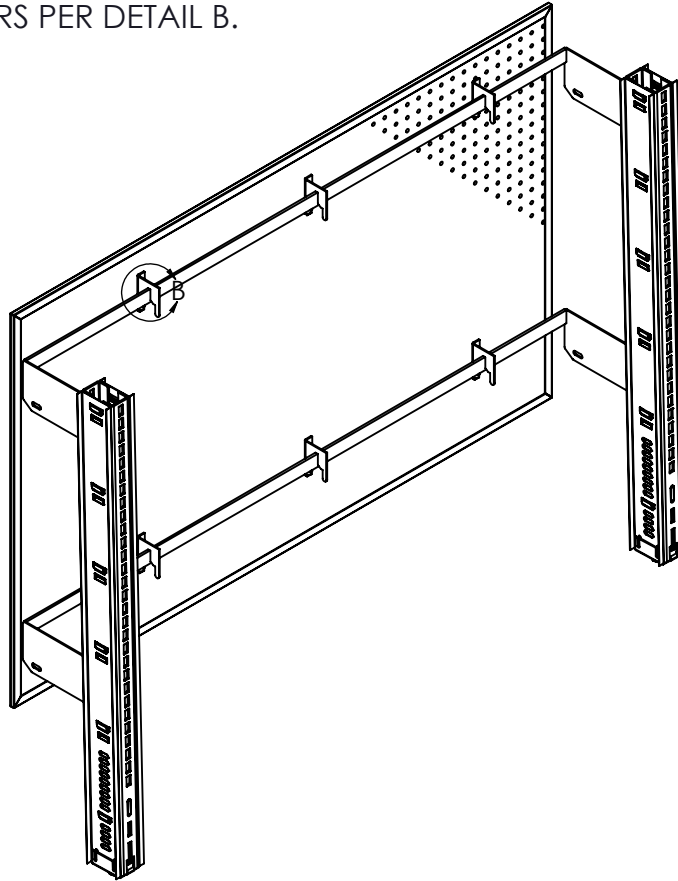
ATTACH ALL 6 PEGBOARD CLIPS TO THE PEGBOARD PANEL USING #8 X 3/4 PHIL FLAT THRD CUT TYF AS SHOWN. SPACE THE CLIPS TO MATCH THE "A" DIMENSION IN STEP 1. USE THE #8 FINISHING WASHERS TO TRIM IT.



INSTALLATION INSTRUCTIONS for:  
**EXTENDED PEG PANEL, WEIS**

**STEP 3:**

HOOK THE PEGBOARD PANEL AND THE CLIP ASSEMBLY TO THE FRONT MEMBER OF THE EXTENDED CROSS BAR ASSEMBLY AS SHOWN. MAKE SURE THE CLIPS ARE SEATED ALL THE WAY IN THE CROSS BARS PER DETAIL B.



DETAIL B  
SCALE 1 : 3